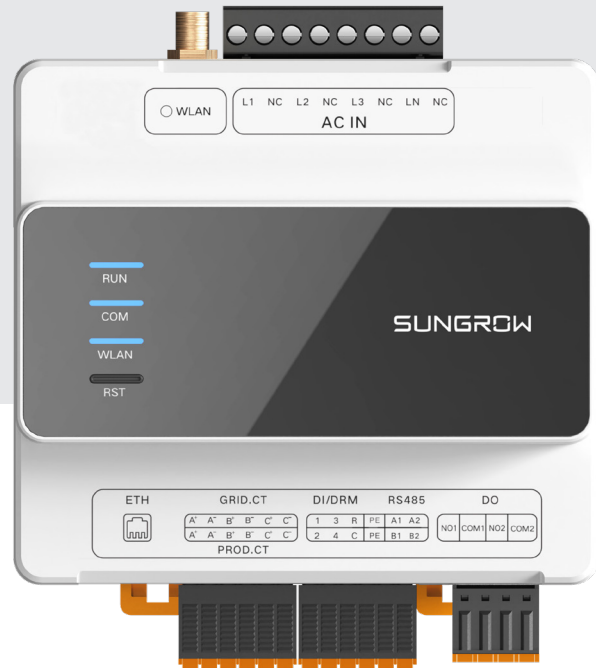


iHomeManager

iHomeManager is an intelligent home energy management device. Based on PV yield predictions, load analysis and local tariffs, it helps to maximize the use of green energy, improve self-consumption rate, and offer auto power backup against extreme weather.

NEW



FLEXIBLE NETWORKING

- Supports RS485, Ethernet, WLAN communication
- Supports EV charger, battery and multiple inverters

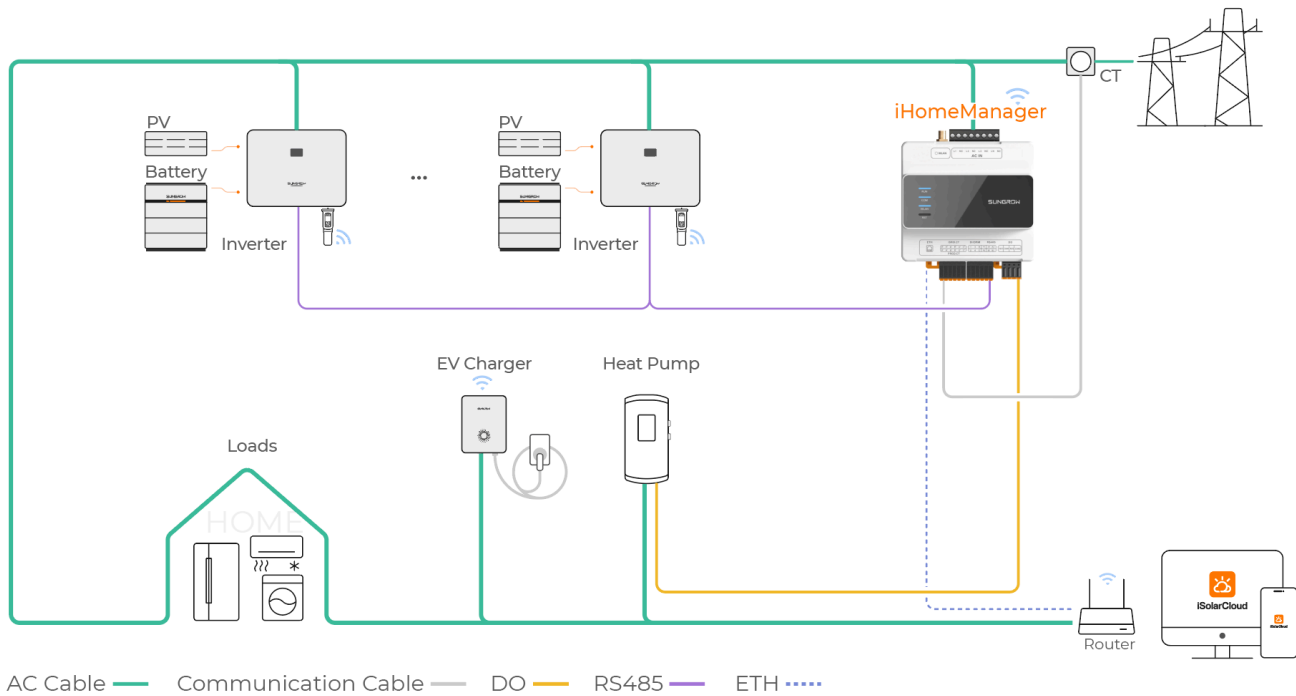
CONVENIENT INSTALLATION

- Supports both wired and wireless networking with convenience
- Built-in meter removes the need to buy and wire an extra meter

EASY TO USE

- Intelligent AI mode-increase power usage with lower cost
- Smart prediction and pre-charging against blackouts
- Intelligent load profile based on real-time yield tracking

CIRCUIT DIAGRAM



* The iHomeManager supports both wired and wireless communication with the inverter. The above figure shows the wired solution

Technical parameters	iHomeManager
Basic data	
Supported device number	Max. 7 (System rated power ≤ 50 kW, meet the rated power requirements, the number of inverters ≤ 5, EV charger: 1, heat pump: 1)
Communication	
RS485	2 channels, separated
Ethernet	1 channel, 10/100 Mbps adaption, communication distance ≤ 100 m
Digital input	5 channels (4 channels for dry contact input, 1 channel for RC short circuit emergency stop)
Digital output	2 channels, dry contact output
External CT interface	2
Accuracy of built-in meter	Level 1 (error ≤ 1%)
Sampling period	50 ms
WLAN	802.11 b/g/n/ax, 2.4 GHz
Antenna	Supports built-in and external
Power supply	
AC input	3P3W: 415Vac (L-L) 3P4W: 415 Vac (L-L) , 230 Vac (L-N)
Power consumption	≤ 9 W
Ambient conditions	
Operating temperature	-30 °C - 60 °C
Allowable relative humidity range	0% - 95%, non-condensing
Max. operating altitude	4000 m
Protection class	IP20
Mechanical parameters	
Dimensions (W*H*D)	108 mm * 97 mm * 65 mm
Weight	< 800 g
Installation	DIN Rail / Wall mounting
Standard compliance	
Certification	CE