

NEW PRODUCT AND INSTALLATION



PLATIO

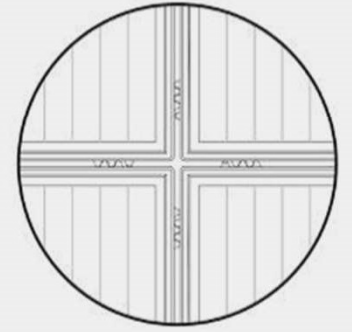
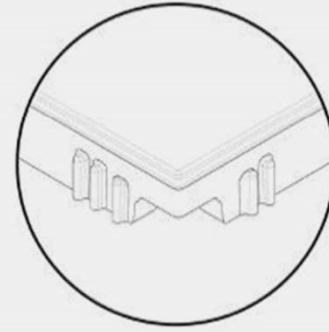
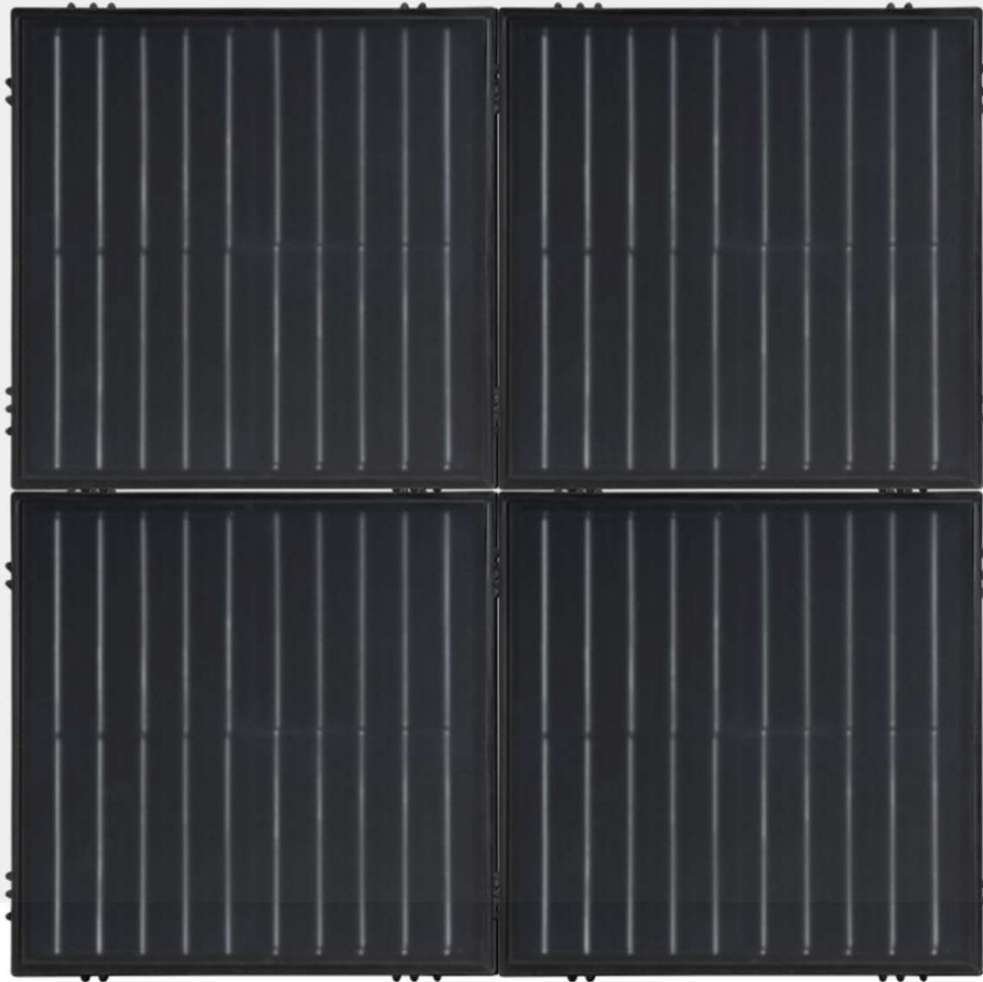
AN INTRODUCTION TO

PLATIO SOLAR PAVER
V10



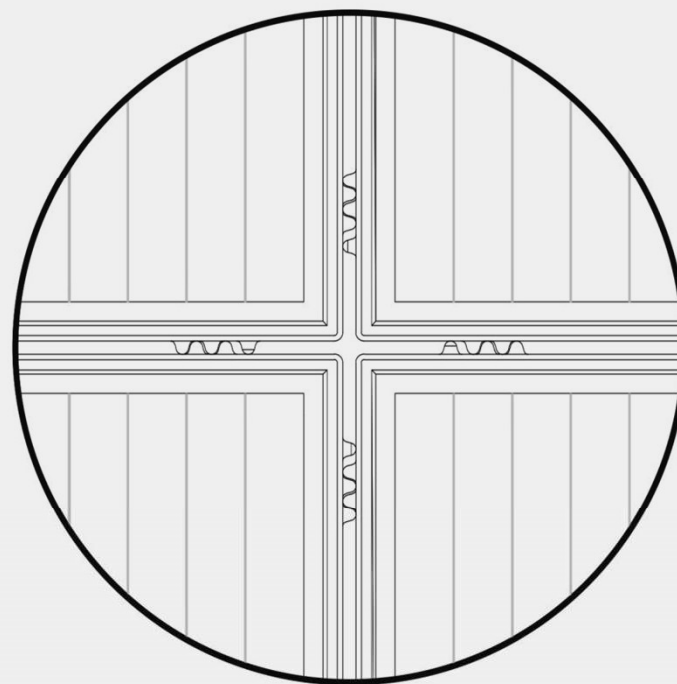
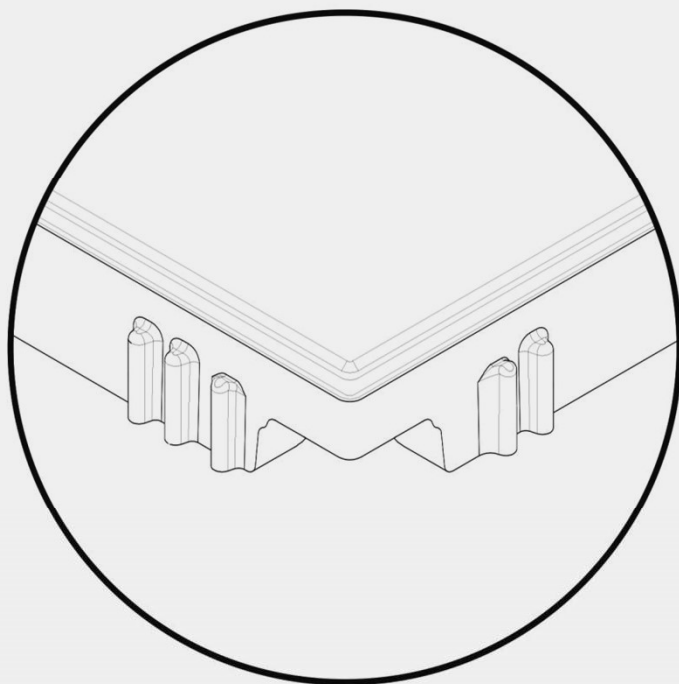
PLATIO

BODY



PLATIO

BODY



PLATIO

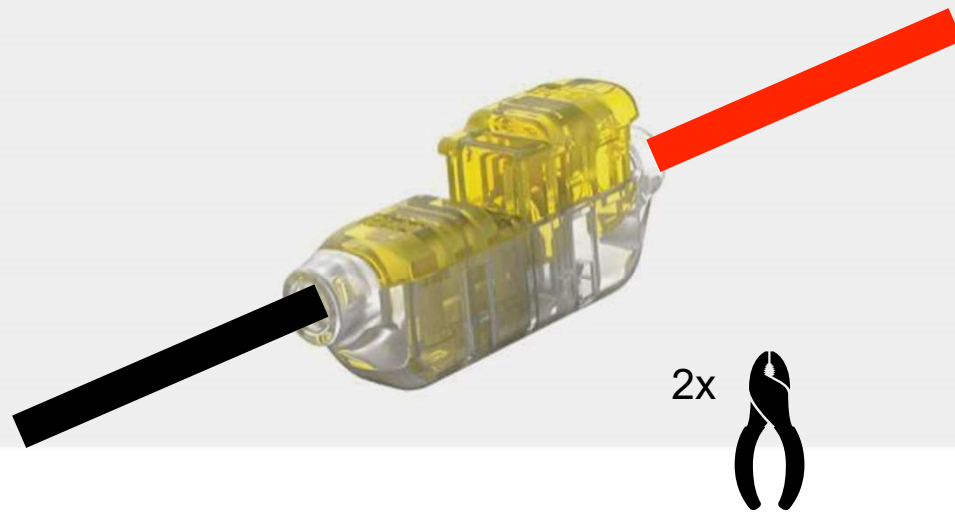
CONNECTORS

Two connector is able to use:

Coolsplice (same as was)

MGC (new)

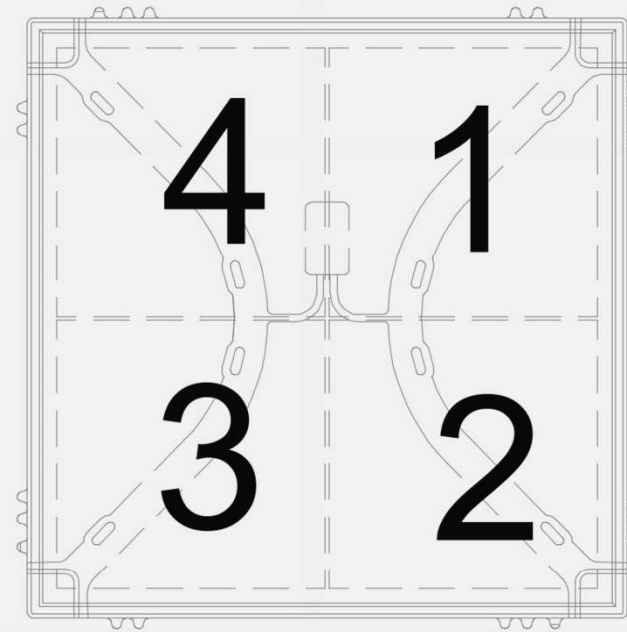
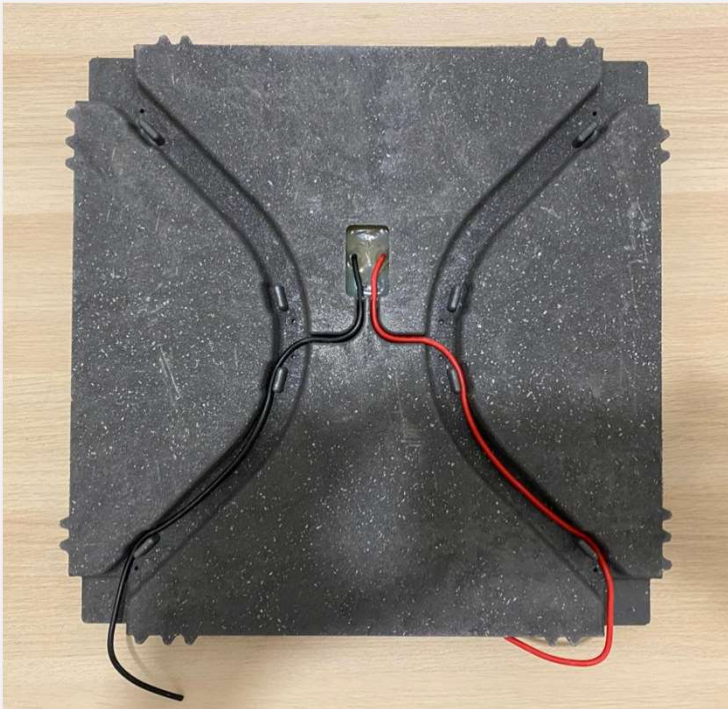
Both are IP68 and fully usable as default connectors and **both are no stripping**



CABLING

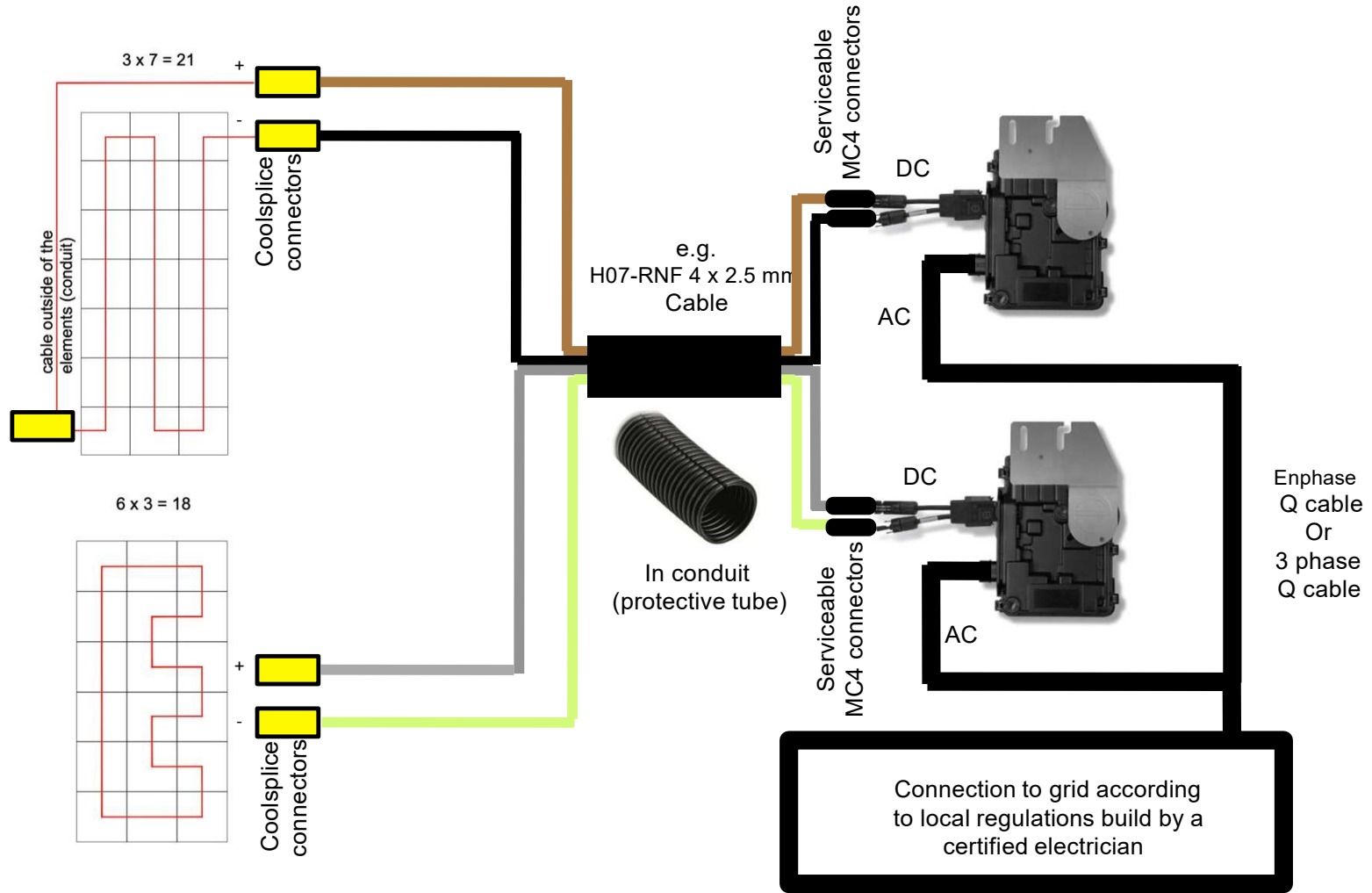
Every PLATIO unit contains the cables.

Planning before is necessary for a smooth and fast installation.



PLATIO

BASIC SYSTEM LAYOUT



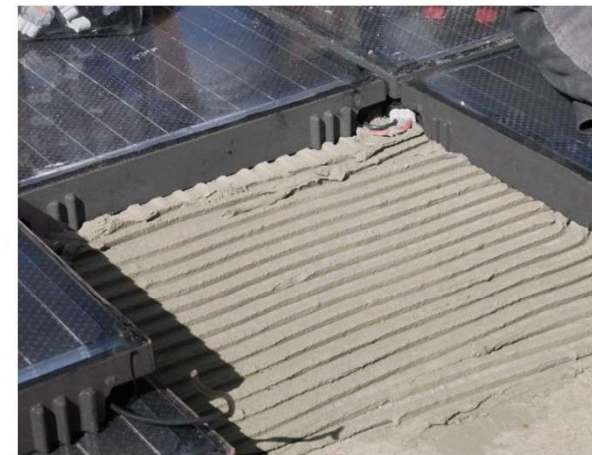
BRICKLAYING

Platio surfaces as before, have to be placed on foundation as the surrounding pavements.

However the bedding layer have to be **2-4 mm gravel**, or **tile adhesive mortar bedding** suitable for the local climate, smoothed with about 10 mm square notch tile trowel.



... or alternative

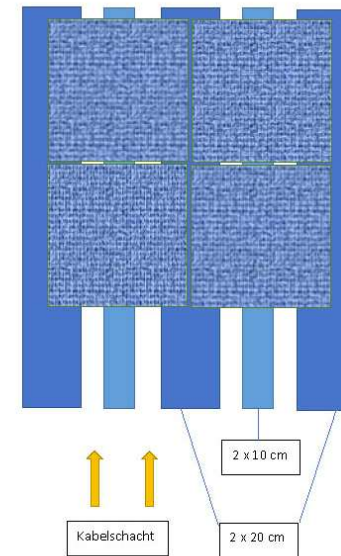
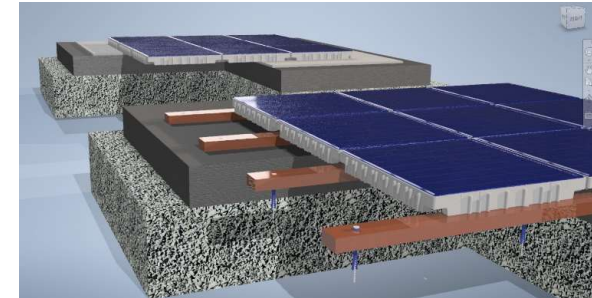


STRIP FOUNDATION

To compensate unregular underground, it is possible to use stripe foundation. The sizes depends on the situation.

We are using materials from Hahn, which are the same green material as the structure of the Platio.

It is also possible to screw the Platio onto the stripes, just in case if it will be necessary for safety reasons.



**THANK YOU FOR
THE ATTENTION**



PLATIO