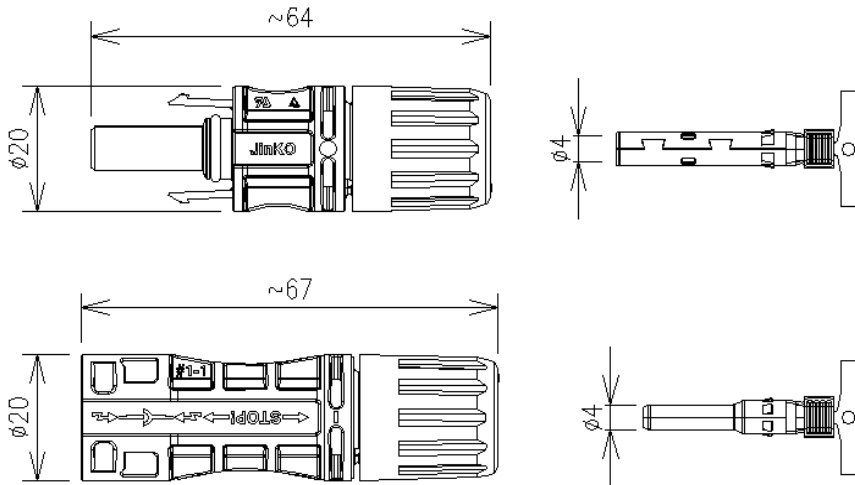


PV-JK03M/XY SERIES

PV CABLE CONNECTOR



- High security, only unbolt by tools.
- Low contact resistance.
- Retaining structure of nut to keep torsion valid.
- Resistance to ozone and ultraviolet radiation.
- Degree of Protection : IP68.
- Certification of TÜV, UL, and JET.
- Compatible with all Jinko connectors



TECHNICAL DATA

Rated Voltage	1000V DC / 1500V DC
Rated Current	45A (4.0mm ²) 50A (6.0mm ²)
Ambient Temperature	-40°C~+85°C
Upper Limit Temperature	110°C (IEC)
Degree of Protection, mated	IP68 (1m,2h)
Degree of Protection ,unmated	IP2X
Application Class	Class A
Over Voltage Category/ Pollution Degree	CATIII/2
Contact Resistance	≤0.3mΩ
Protection Class	Class II
Terminal Connection	Crimping
Conduction Material	Cu alloy plating
Insulation Material	PPE/PA
Cable Dimensions	4.0mm ² 5.5~6.5mm 6.0mm ² 6.0~7.0mm
Certification Standard	IEC/EN 62852